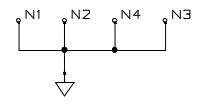
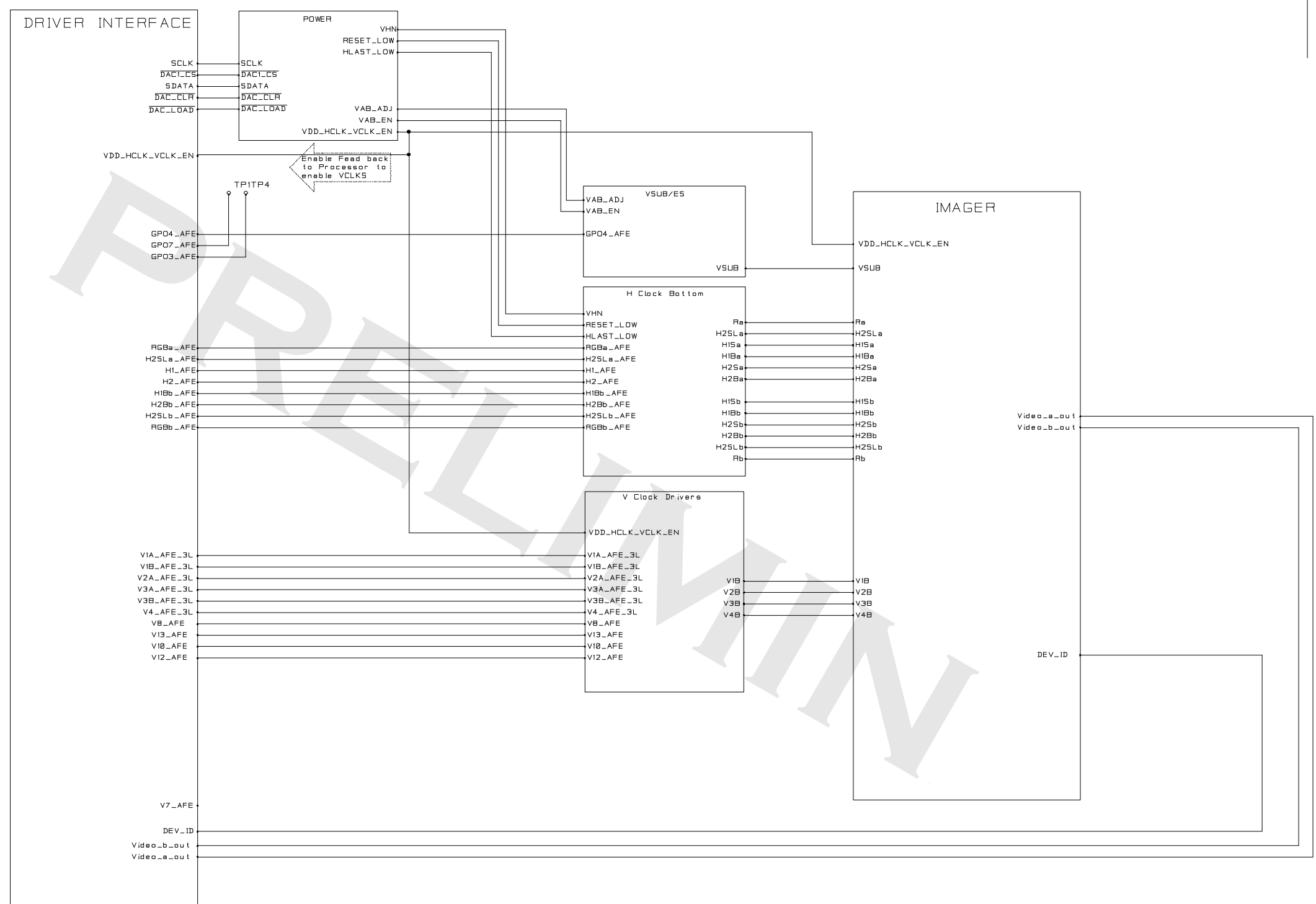
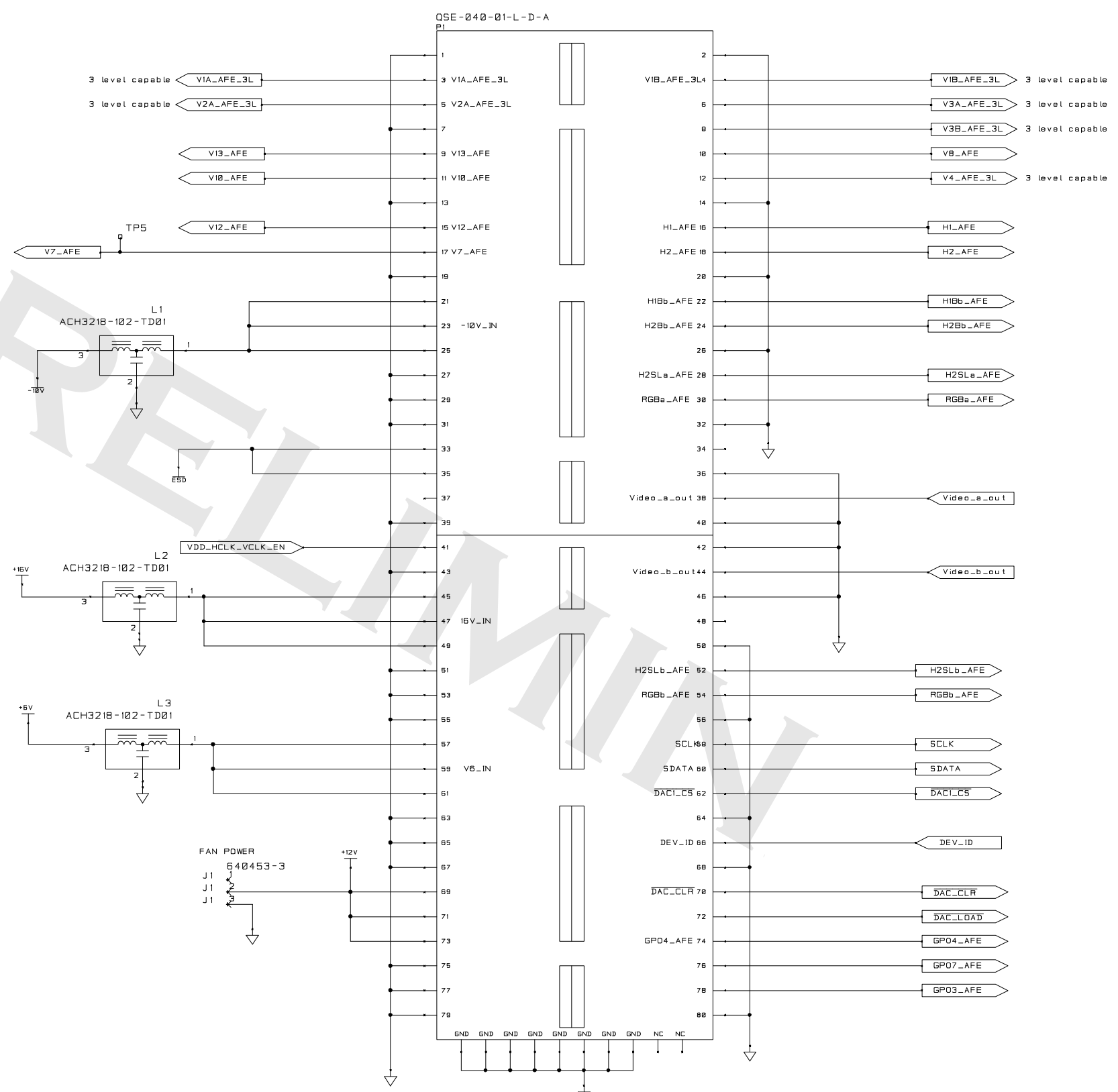


REVISIONS				
ZONE	SYM	DESCRIPTION	DATE	APPROVAL

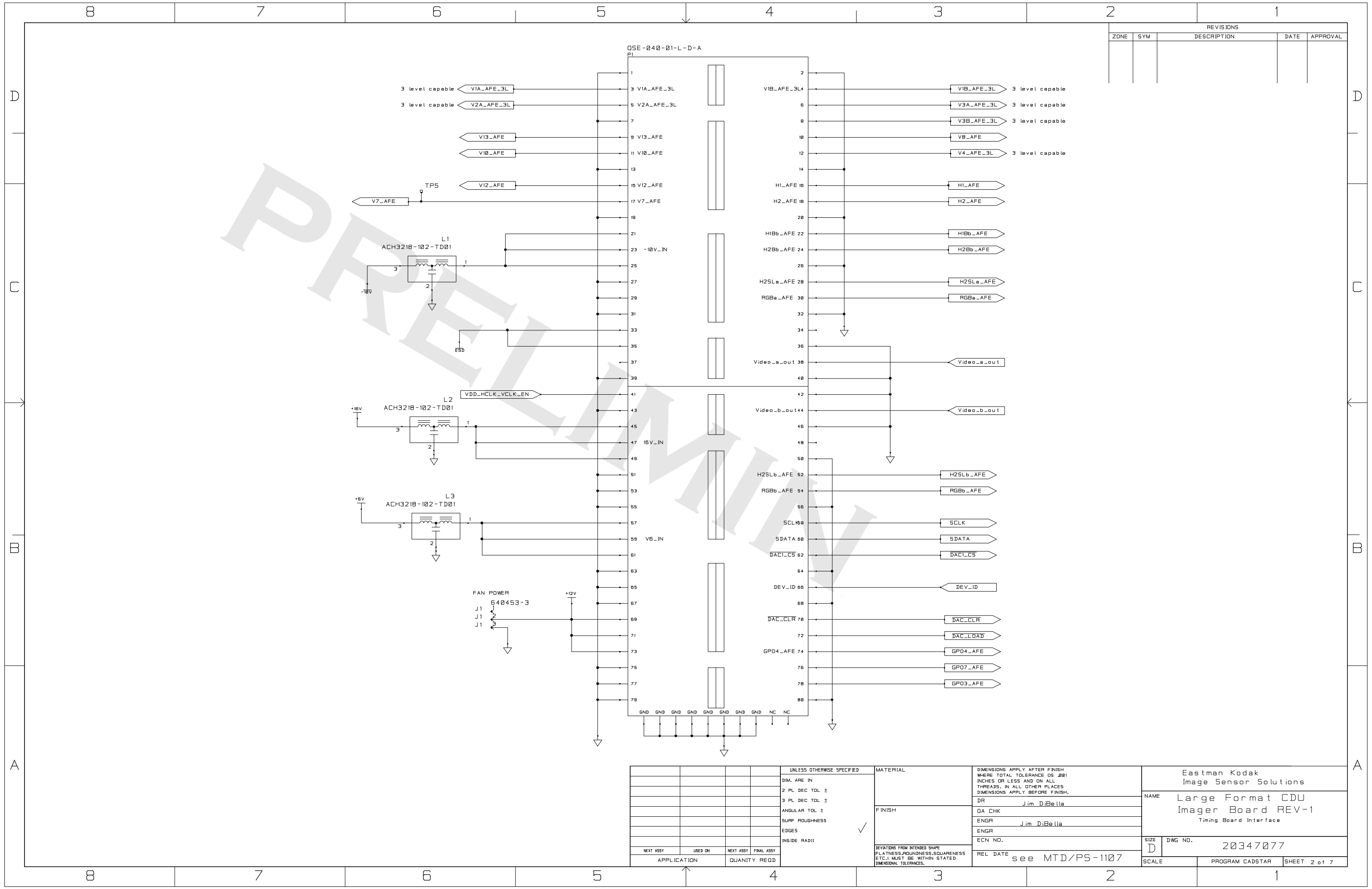


UNLESS OTHERWISE SPECIFIED				MATERIAL		DIMENSIONS APPLY AFTER FINISH WHERE TOTAL TOLERANCE IS .001 INCHES OR LESS AND ON ALL THREADS, IN ALL OTHER PLACES DIMENSIONS APPLY BEFORE FINISH.		Eastman Kodak Image Sensor Solutions	
DIM. ARE IN				FINISH		DR		NAME Large Format CDU Imager Board REV-1 Top Level	
2 PL DEC TOL ±				✓		ENGR Jim DiBella		SIZE D	
3 PL DEC TOL ±				REVISIONS FROM INTENDED SHAPE (FLATNESS, ROUNDNESS, SQUARENESS ETC.) MUST BE WITHIN STATED DIMENSIONAL TOLERANCES.		ENGR Jim DiBella		DWG NO. 20347077	
ANGULAR TOL ±				REL DATE see MTD/PS-1107		ECN NO.		SCALE	
SURF. ROUGHNESS				APPLICATION		PROGRAM CADSTAR		SHEET 1 of 7	
EDGES				NEXT ASSY		QUANTITY REQD			
INSIDE RADII				USED ON		NEXT ASSY			
				FINAL ASSY					

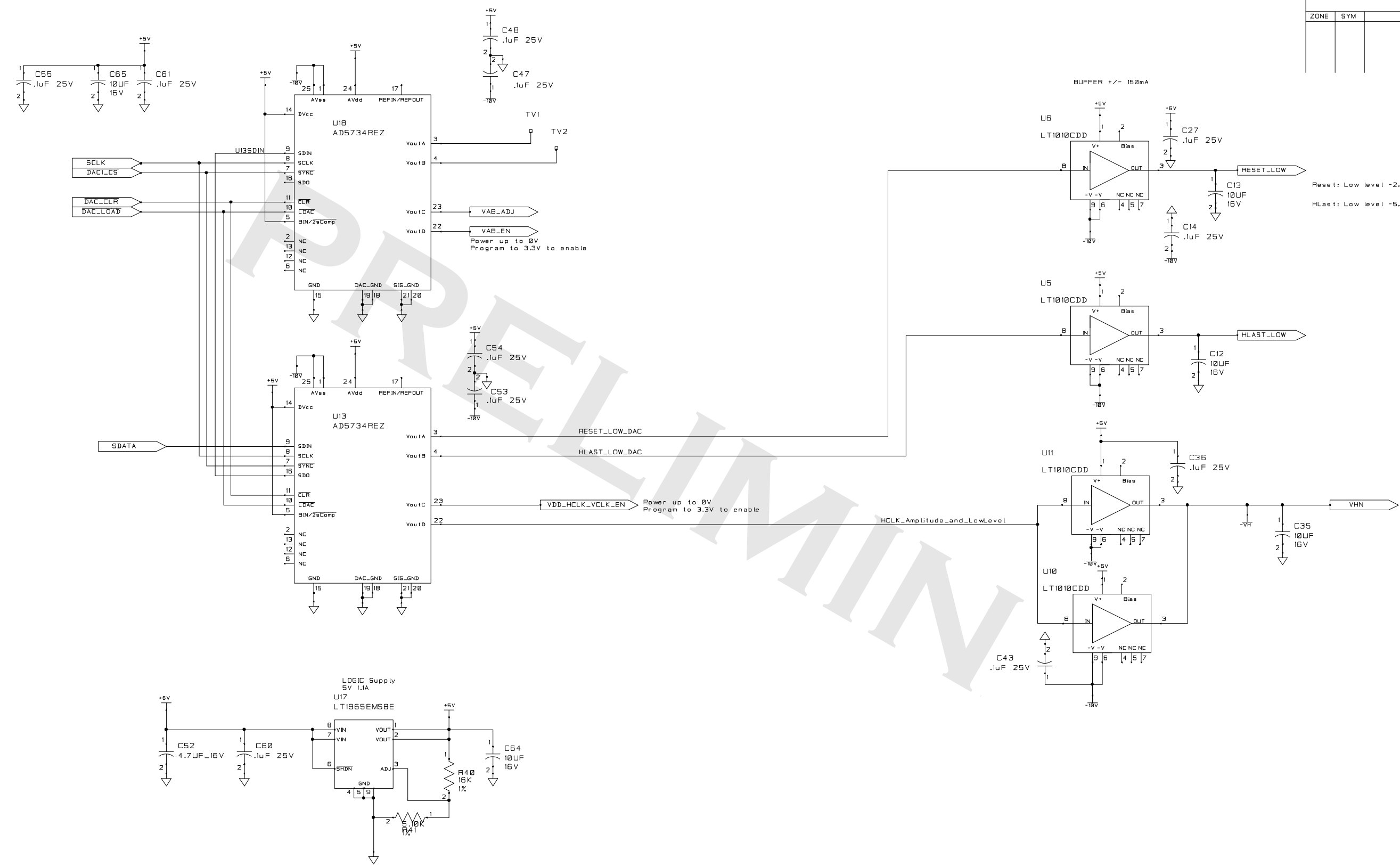
REVISIONS				
ZONE	SYM	DESCRIPTION	DATE	APPROVAL



UNLESS OTHERWISE SPECIFIED				MATERIAL		DIMENSIONS APPLY AFTER FINISH WHERE TOTAL TOLERANCE IS .001 INCHES OR LESS AND ON ALL THREADS. IN ALL OTHER PLACES DIMENSIONS APPLY BEFORE FINISH.		Eastman Kodak Image Sensor Solutions	
DIM. ARE IN				FINISH		DR Jim DiBella		NAME Large Format CDU Imager Board REV-1 Timing Board Interface	
2 PL DEC TOL ±				✓		QA CHK		SIZE D	
3 PL DEC TOL ±						ENGR Jim DiBella		DWG NO. 20347077	
ANGULAR TOL ±						ENGR		SCALE	
SURF. ROUGHNESS						ECN NO.		PROGRAM CADSTAR	
EDGES						REL DATE see MTD/PS-1107		SHEET 2 of 7	
INSIDE RADII									
NEXT ASSY		USED ON		NEXT ASSY		FINAL ASSY			
APPLICATION		QUANTITY		REQD					



REVISIONS				
ZONE	SYM	DESCRIPTION	DATE	APPROVAL

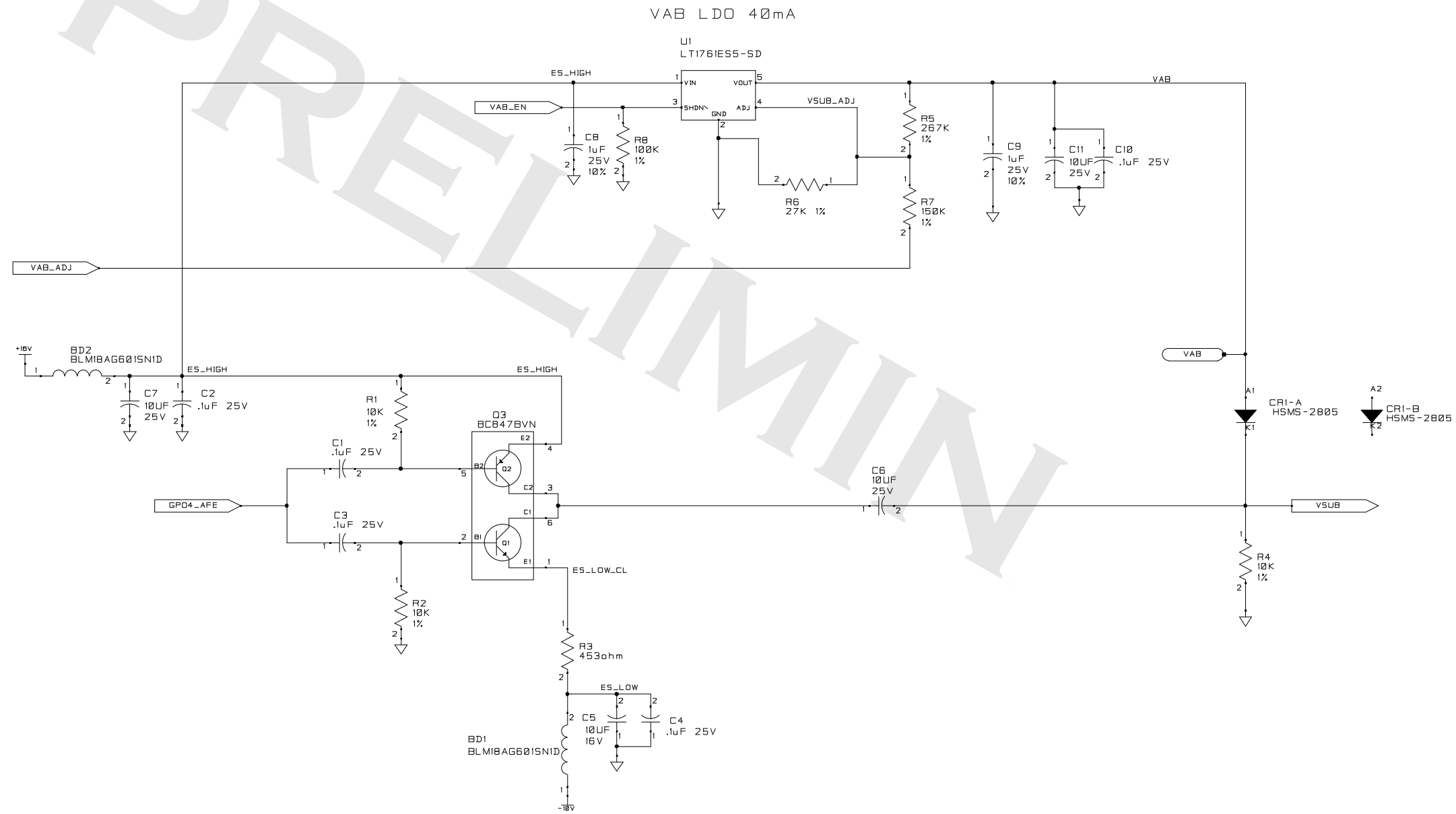


Reset: Low level -2, High Level +3  
 HLast: Low level -5, Amplitude 5V

UNLESS OTHERWISE SPECIFIED				MATERIAL	DIMENSIONS APPLY AFTER FINISH WHERE TOTAL TOLERANCE IS .001 INCHES OR LESS AND ON ALL THREADS. IN ALL OTHER PLACES DIMENSIONS APPLY BEFORE FINISH.	Eastman Kodak Image Sensor Solutions		
DIM. ARE IN				FINISH	DR Jim DiBella	NAME Large Format CDU Imager Board REV-1 Power Regulation		
2 PL DEC TOL ±						QA CHK	SIZE D	DWG NO. 20347077
3 PL DEC TOL ±						ENGR Jim DiBella		
ANGULAR TOL ±						ECN NO.	SCALE	PROGRAM CADSTAR
SURF. ROUGHNESS						REL DATE see MTD/PS-1107		
EDGES								
INSIDE RADII								
NEXT ASSY	USED ON	NEXT ASSY	FINAL ASSY					
APPLICATION		QUANTITY REQD						

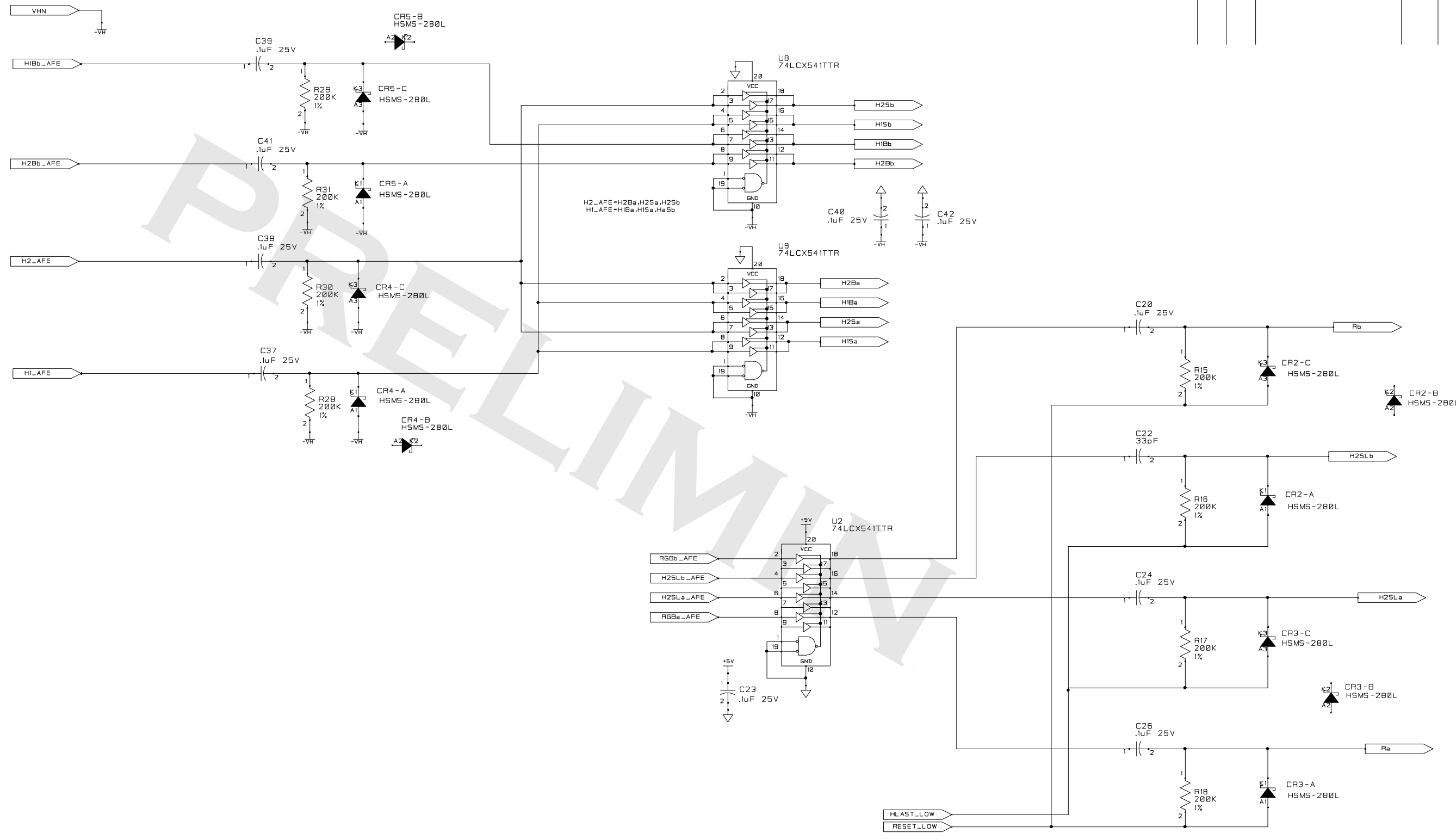
Eastman Kodak  
Image Sensor Solutions  
NAME  
Large Format CDU  
Imager Board REV-1  
Power Regulation  
SIZE  
D  
DWG NO.  
20347077  
SCALE  
PROGRAM CADSTAR  
SHEET 3 of 7

REVISIONS				
ZONE	SYM	DESCRIPTION	DATE	APPROVAL



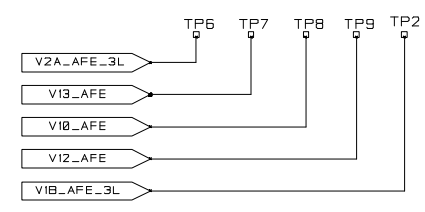
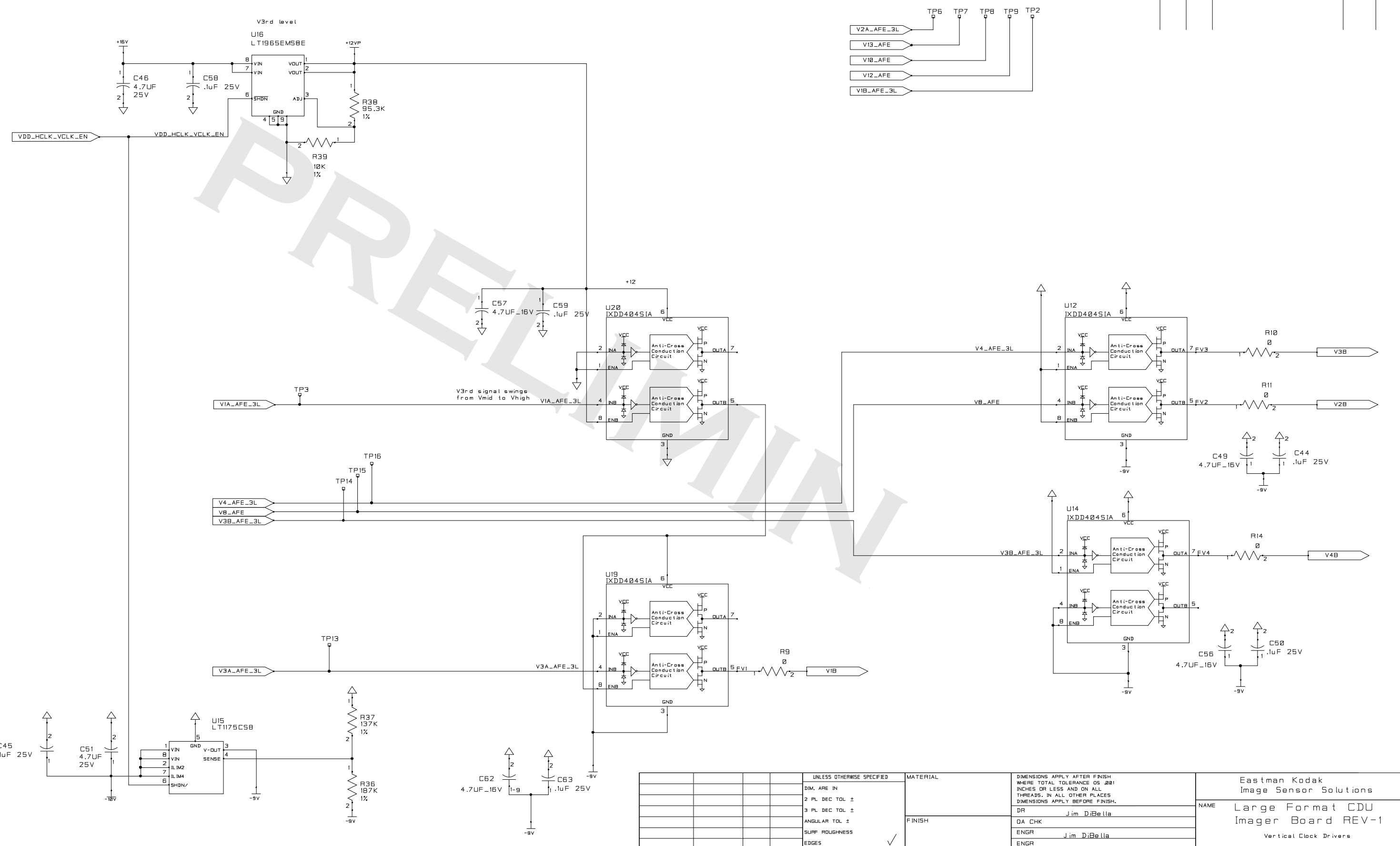
UNLESS OTHERWISE SPECIFIED	MATERIAL	DIMENSIONS APPLY AFTER FINISH WHERE TOTAL TOLERANCES OS .001 INCHES OR LESS AND ON ALL THREADS. IN ALL OTHER PLACES DIMENSIONS APPLY BEFORE FINISH.	Eastman Kodak Image Sensor Solutions
DIM. ARE IN	FINISH	DR Jim DiBella	NAME Large Format CDU Imager Board REV-1 Electronic Shutter / XDR Shutter
2 PL DEC TOL ±		QA CHK	SIZE D
3 PL DEC TOL ±		ENGR Jim DiBella	DWG NO. 20347077
ANGULAR TOL ±		ECN NO.	SCALE
SURF. ROUGHNESS		REL DATE see MTD/PS-1107	PROGRAM CADSTAR
EDGES			SHEET 4 of 7
INSIDE RADII			
NEXT ASSY	USED ON	NEXT ASSY	FINAL ASSY
APPLICATION		QUANTITY	REQD

REVISIONS				
ZONE	SYM	DESCRIPTION	DATE	APPROVAL



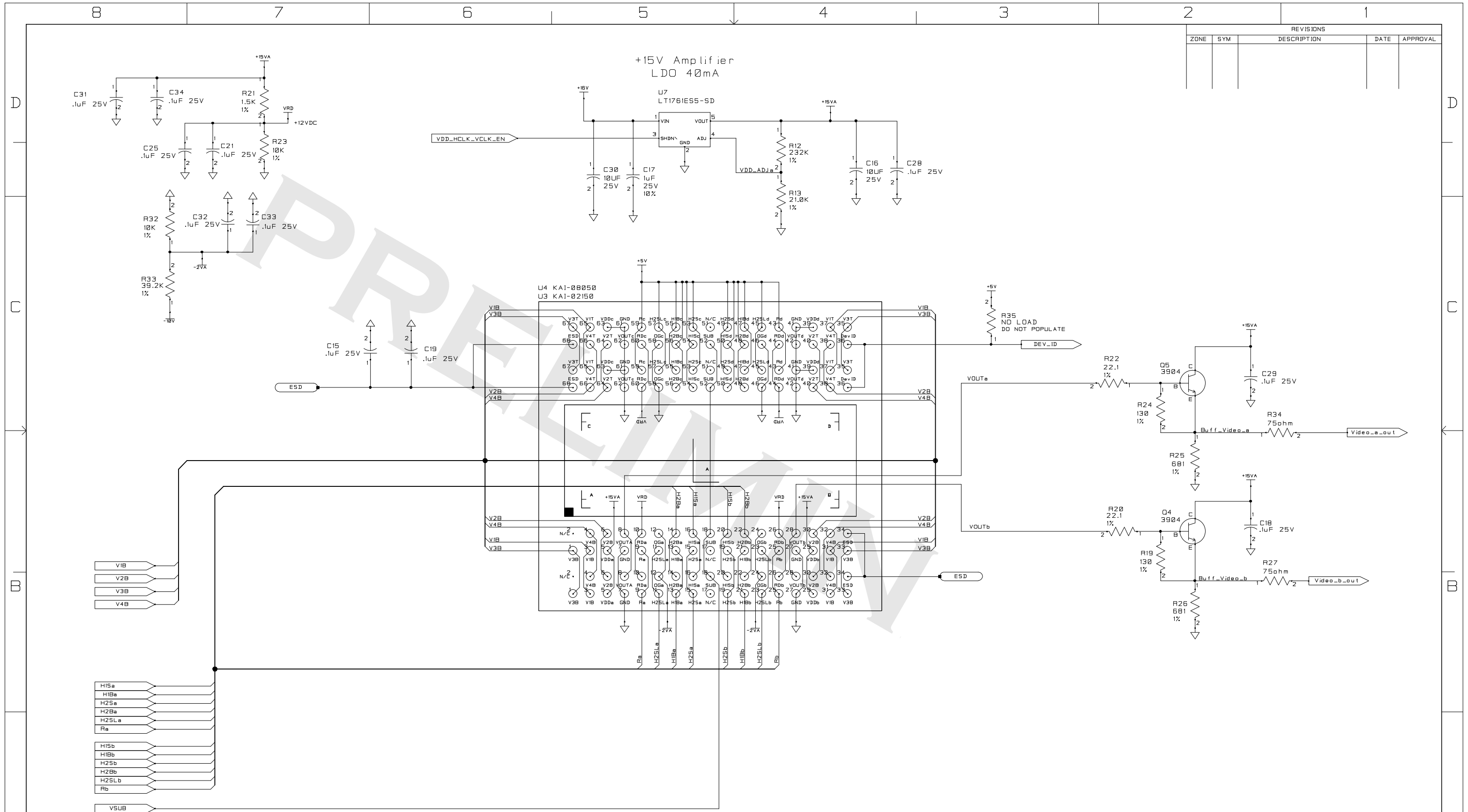
UNLESS OTHERWISE SPECIFIED	MATERIAL	DIMENSIONS APPLY AFTER FINISH WHERE TOTAL TOLERANCE IS .001 INCHES OR LESS AND ON ALL THREADS. IN ALL OTHER PLACES DIMENSIONS APPLY BEFORE FINISH.	Eastman Kodak Image Sensor Solutions
DIM. ARE IN	FINISH	DR Jim DiBella	NAME Large Format CDU Imager Board REV-1 Horizontal Clock Drivers
2 PL DEC TOL ±		QA CHK	
3 PL DEC TOL ±		ENGR Jim DiBella	
ANGULAR TOL ±		ENGR	
SURF ROUGHNESS		ECN NO.	SIZE D DWG NO. 20347077
EDGES		REL DATE see MTD/PS-1107	SCALE
INSIDE RADI			PROGRAM CADSTAR SHEET 5 of 7
NEXT ASSY	USED ON		
APPLICATION	QUANTITY REQD		

REVISIONS				
ZONE	SYM	DESCRIPTION	DATE	APPROVAL



UNLESS OTHERWISE SPECIFIED		MATERIAL	DIMENSIONS APPLY AFTER FINISH WHERE TOTAL TOLERANCE IS .001 INCHES OR LESS AND ON ALL THREADS. IN ALL OTHER PLACES DIMENSIONS APPLY BEFORE FINISH.	Eastman Kodak Image Sensor Solutions NAME Large Format CDU Imager Board REV-1 Vertical Clock Drivers
DIM. ARE IN 2 PL DEC TOL ± 3 PL DEC TOL ± ANGULAR TOL ± SURF. ROUGHNESS EDGES INSIDE RADII		FINISH		
NEXT ASSY	USED ON	NEXT ASSY	FINAL ASSY	SIZE D DWG NO. 20347077 SCALE PROGRAM CADSTAR SHEET 6 of 7
APPLICATION	QUANTITY	REQD		

REVISIONS				
ZONE	SYM	DESCRIPTION	DATE	APPROVAL



UNLESS OTHERWISE SPECIFIED		MATERIAL	DIMENSIONS APPLY AFTER FINISH WHERE TOTAL TOLERANCES OS .001 INCHES OR LESS AND ON ALL THREADS, IN ALL OTHER PLACES DIMENSIONS APPLY BEFORE FINISH.	Eastman Kodak Image Sensor Solutions
DIM. ARE IN	2 PL DEC TOL ±	FINISH	DR	NAME Large Format CDU Imager Board REV-1 Imager Socket
3 PL DEC TOL ±	ANGULAR TOL ±		QA CHK Jim DiBella	SIZE D
SURF ROUGHNESS	EDGES		ENGR Jim DiBella	DWG NO. 20347077
INSIDE RADII	INSIDE RADII		ECN NO.	SCALE
NEXT ASSY	USED ON	NEXT ASSY	FINAL ASSY	PROGRAM CADSTAR
APPLICATION	QUANTITY	RECD	REL DATE see MTD/PS-1107	SHEET 7 of 7

Item	KODAK PN	Side	REF DESIG	QTY	DESCRIPTION	PACKAGE
1	20346030	HW-T-1	BRD1	1	LFI Imager Board PCB Rev2	
2	2F9737	BOT - 1	XU3/XU4	1	Dual Interline CCD Socket attached hardware	thru-hole
3	7H8060	TOP - 2	BD1, BD2	2	EMI FILTER BLM18AG601SN1D	0603
4	2B1361	BOT - 9 TOP - 35	C20, C21, C22, C24, C25, C26, C33, C40, C42 C1, C2, C3, C4, C10 C14, C15, C18, C19, C23, C27, C28, C29, C31, C32, C34, C36, C37, C38, C39, C41, C43, C44, C45, C47, C48, C50, C53, C54, C55, C58, C59, C60, C61, C63	44	CAP .1UF 25WVDC 20%	0603
5	2F7752	TOP - 5	C6, C7, C11, C16, C30	5	CAP 10UF 25WVDC 20% X5R	1210
6	2F8794	TOP - 6	C5, C12, C13, C35, C64 C65	6	CAP 10UF 16WVDC 80%	0805
7	4F4014	TOP - 5	C49, C52, C56, C57, C62	5	CERCAP 4.7UF 16WVDC 10% X5R	0805
8	4F4018	TOP - 3	C8, C9, C17	3	CAP 1UF 25V 10%	0603
9	7E7251	TOP - 2	C46, C51	2	CAP 4.7UF 25WVDC 20%	1210
10	5F9225	TOP - 1	CR1	1	DIODE DUAL HSMS-2805-T31	SOT143
11	2F9746	TOP - 3 BOT - 1	CR2, CR3, CR5 CR4	4	DIODE DUAL HSMS-280L-BLK	SOT363
12	233090	BOT - 1	J1	1	3 POS RT MTA-100 HDR 640453-3	thru-hole
13	7E0888	TOP - 3	L1, L2, L3	3	3 Term LCR Filter ACH3218-102-TD01	3TermFilter
14	7E0900	TOP - 1	P1	1	CONNECTOR QSE-040-01-L-D-A	QSE-040

Eastman Kodak Company			
Title LFI Imager Board 20347077 BOM			
Size C	Number MTD/PS-1107	Rev 1	
Date 5-21-2009	Drawn by BPF Sheet 1 of 5		



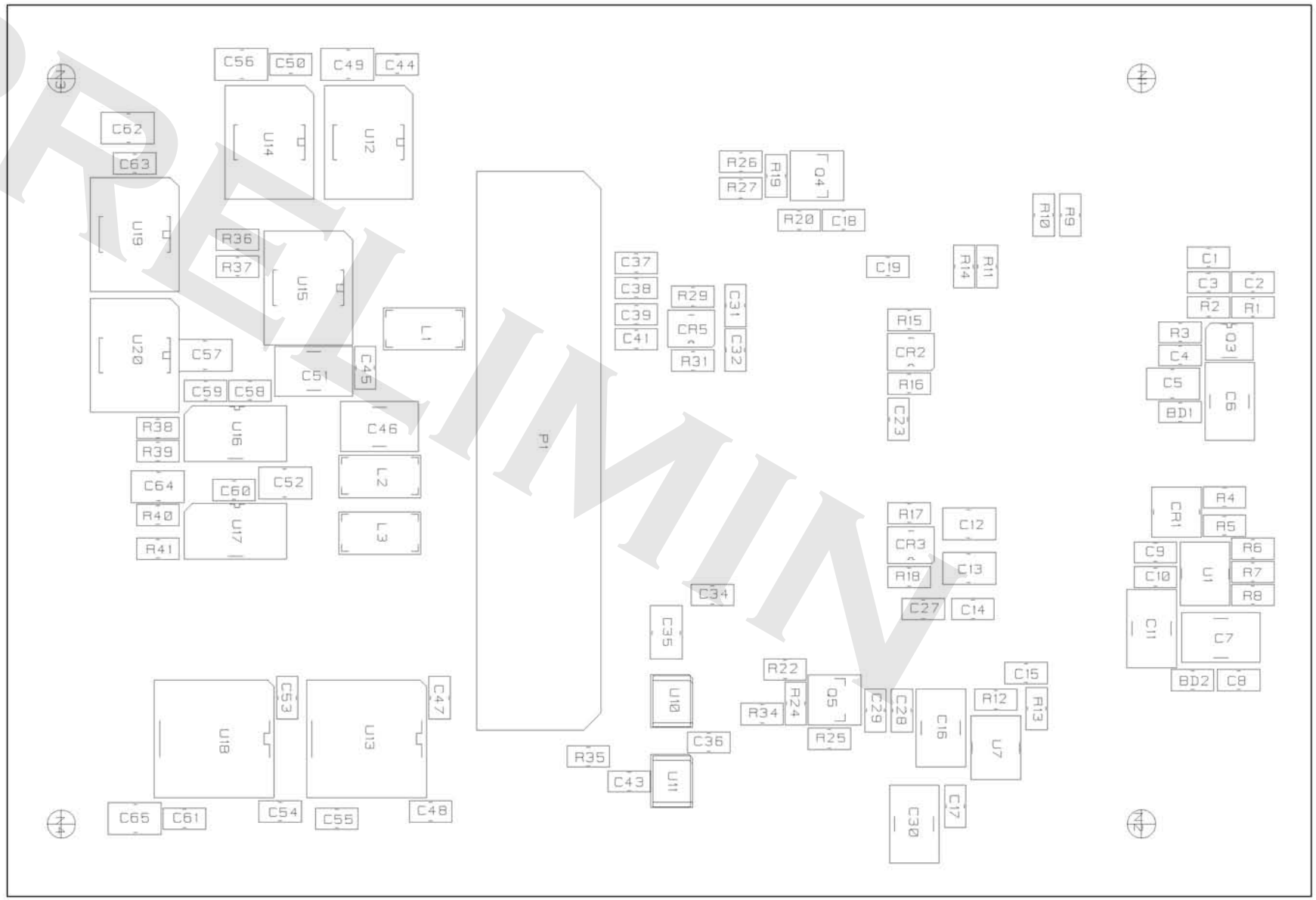
Item	KODAK PN	Side	REF DESIG	QTY	DESCRIPTION	PACKAGE
15	7E0889	TOP - 1	Q3	1	XSTR DUAL DIG PNP/NPN BC847BVN	UMT6
16	5F4078	TOP - 2	Q4, Q5	2	XSTR G.P. NPN MMBT3904LT1	SOT23
17	2F8985	TOP - 2	R20, R22	2	RESISTOR 22.1 1/10W 1	0603
18	2F9738	TOP - 2	R25, R26	2	RESISTOR 681 1/10W 1%	0603
19	2F9739	TOP - 1	R3	1	RESISTOR 453 ohm 1/10W 1%	0603
20	2F9756	TOP - 1	R6	1	RESISTOR 27K ohm 1/10W 1%	0603
21	2F9757	TOP - 1	R12	1	RESISTOR 232K 1/10W 1%	0603
22	2F9759	TOP - 1	R5	1	RESISTOR 267K 1/10W 1%	0603
23	2F9760	TOP - 1	R40	1	RESISTOR 16K 1/10W 1%	0603
24	2F9761	TOP - 1	R37	1	RESISTOR 137K 1/10W 1%	0603
25	2F9762	TOP - 2	R19, R24	2	RESISTOR 130 1/10W 1%	0603
26	5F0593	TOP - 1	R8	1	RESISTOR 100K 1/10W 1%	0603
27	5F0953	TOP - 2	R27, R34	2	RESISTOR 75 ohm 1/10W 1%	0603
28	5F1096	BOT - 1	R33	1	RESISTOR 39.2K 1/10W 1%	0603
29	5F3602	TOP - 1	R41	1	RESISTOR 5.10K 1/10W 1%	0603
30	5F3696	BOT - 2 TOP - 6	R28, R30 R15, R16, R17, R18, R29, R31	8	RESISTOR 200K 1/10W 1%	0603
31	5F3832	TOP - 4	R9, R10, R11, R14	4	RESISTOR 0 OHM JUMPER, 1/10W	0603
32	5F3940	BOT - 2 TOP - 4	R23, R32 R1, R2, R4, R39	6	RESISTOR 10K 1/10W 1%	0603

Eastman Kodak Company			
Title LFI Imager Board 20347077 BOM			
Size C	Number MTD/PS-1107	Rev 1	
Date 5-21-2009	Drawn by BPF Sheet 2 of 5		

Item	KODAK PN	Side	REF DESIG	QTY	DESCRIPTION	PACKAGE
33	5F7696	TOP - 1	R13	1	RESISTOR 21.0K 1/10W 1%	0603
34	5F8744	BOT - 1	R21	1	RESISTOR 1.5K 1/10W 1%	0603
35	5F9390	TOP - 1	R36	1	RESISTOR 187K 1/10W 1%	0603
36	7E0631	TOP - 1	R7	1	RESISTOR 150K 1/10W 1%	0603
37	7E7004	TOP - 1	R38	1	RESISTOR 95.3K 1/10W 1%	0603
38	2F9745	TOP - 4	U12, U14, U19, U20	4	Dual Low Side Driver IXDD404SIA	SOIC-8_150
39	2F9747	BOT - 2 TOP - 2	U5, U6 U10, U11	4	Buffer Amplifier 150mA LT1010CDD	DFN3mmx3mm-8
40	2F9749	TOP - 2	U13, U18	2	14 Bit Uni/Bipolar DAC AD5734R	TSSOP24_P32
41	5F9069	BOT - 3	U2, U8, U9	3	OCTAL BUFFER 74LCX541TTR	TSSOP20
42	7E0890	TOP - 2	U1, U7	2	ADJ REG LDO STDBY LT1761-SD#TRM	SOT23-5
43	7E0893	TOP - 1	U15	1	ADJ REG LDO NEG LT1175CS8#PBF	SOIC-8_150
44	7E0901	TOP - 2	U16, U17	2	REG LDO NEG LT1965EMS8E#PBF	MSOP-8-PWRPAD
45	NO LOAD	TOP - 1	R35	1NL	RESISTOR 0 OHM JUMPER, 1/10W	0603
46	NO LOAD	BOT - 1	U3	1NL	Quad Output Interline CCD 2MP KAI-02150	KAI-X6
47	NO LOAD	BOT - 1	U4	1NL	Quad Output Interline CCD 8MP KAI-08050	KAI-08050

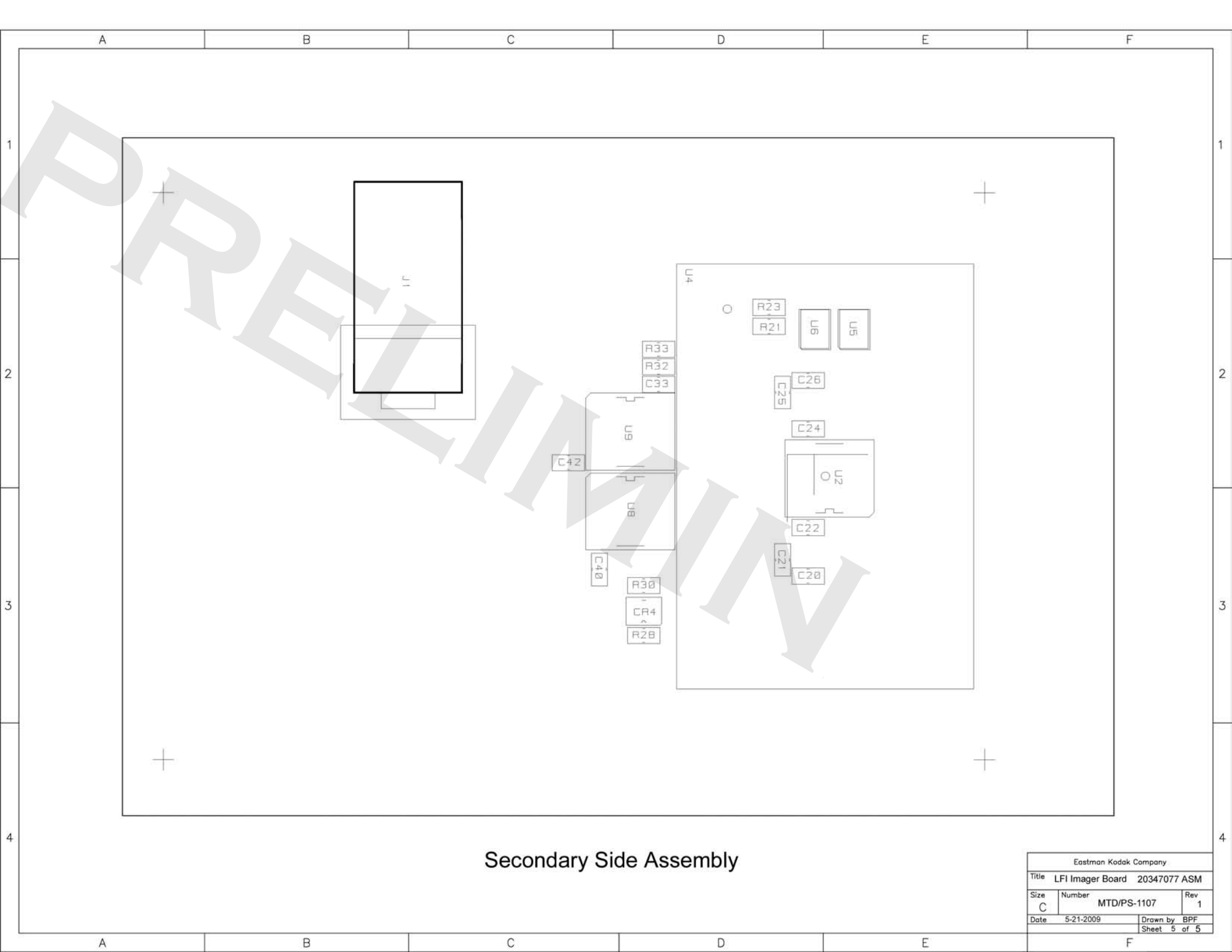
Eastman Kodak Company			
Title LFI Imager Board 20347077 BOM			
Size C	Number MTD/PS-1107	Rev 1	
Date 5-21-2009	Drawn by BPF Sheet 3 of 5		

**PRIMARY SIDE ASSEMBLY**



Primary Side Assembly

Eastman Kodak Company			
Title LFI Imager Board 20347077 ASM			
Size C	Number MTD/PS-1107	Rev 1	
Date 5-21-2009	Drawn by BPF Sheet 4 of 5		



### Secondary Side Assembly

Eastman Kodak Company			
Title LFI Imager Board 20347077 ASM			
Size C	Number MTD/PS-1107	Rev 1	
Date 5-21-2009	Drawn by BPF Sheet 5 of 5		